

DH-7 Series, Rated up to 60 Amps, 115/200 VAC, 400 Hz

Product Facts

- 3PDT
- Hermetically sealed
- Auxiliary contacts available
- Meets many requirements of MIL-PRF-6106



Performance Data

Electrical Characteristics

Contact Arrangement — 3PDT

Rated Operating Voltage — 115/200 VAC, 400 Hz, 3 phase

Resistive Rating — 60 Amps

General Characteristics

Temperature Range — -55°C to +71°C

Operating Cycles (Life) at Rated Resistive Load, Min. — 50,000 cycles

Operating Cycles (Life) Mechanical, Min. — 100,000 cycles

Dielectric Strength — All Circuits to Ground — 1,500 Vrms
Circuit to Circuit — 1,500 Vrms
Coil to Ground and Aux. Contacts — 1,000 Vrms

Altitude — 80,000 ft

Weight, Max. — .91 lbs

Coil Characteristics

Duty Cycle — Continuous

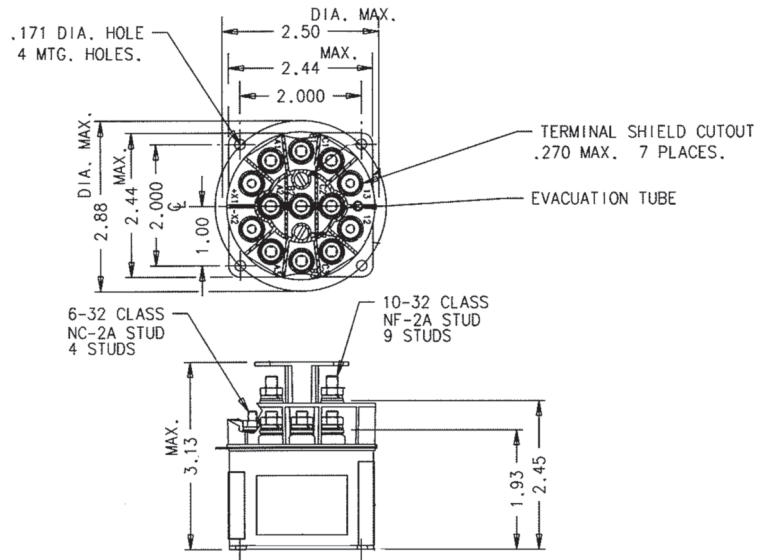
Operating Voltage, Nom. — 28 Vdc

Pickup Voltage @ 25°C, Max. — 18 Vdc

Dropout Voltage @ 25°C, Max. — 1.5 to 7 Vdc

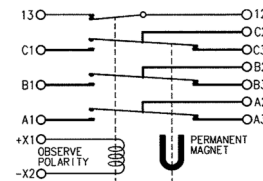
Coil Resistance ±20% @ 25°C — 126 Ohms

Coil Current @ 25°C, Max. — .28 Amp



Mounting Style A

Circuit Configurations (Consult factory for other available circuit configurations)



Circuit Configuration 1

For factory-direct application assistance, phone 419-521-9500 or fax 419-526-2749.

HARTMAN Part Number	Construction Type	Mounting Style	Coil Type	Circuit Config.	TE Part Number
DH-7BC	Hermetically Sealed	A	Continuous	1	1616037-8